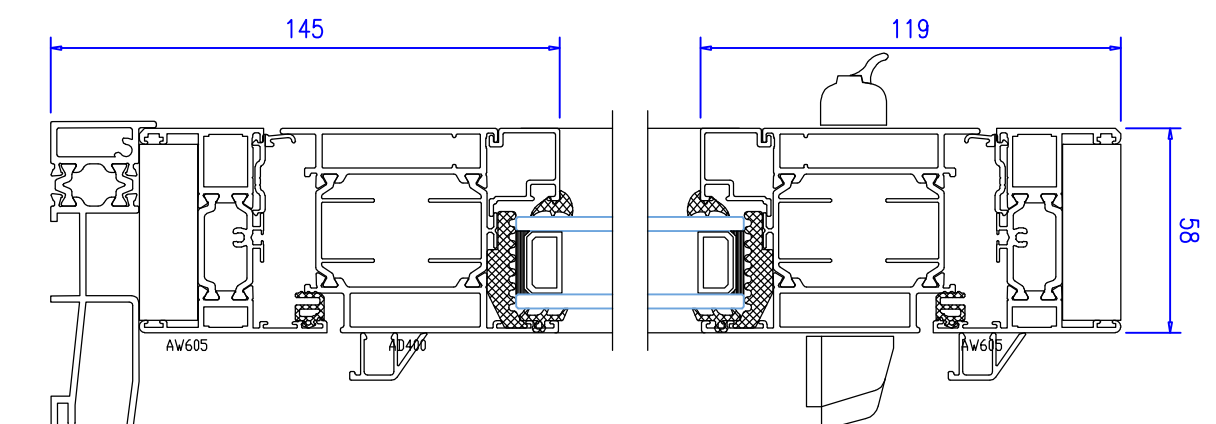
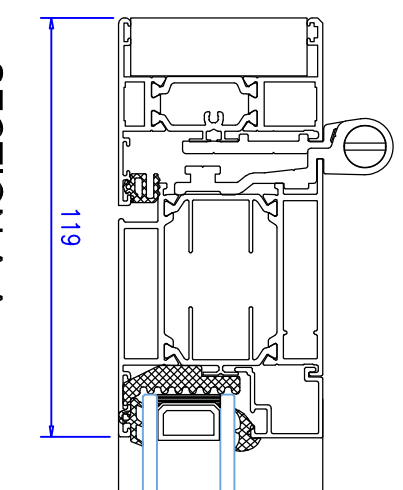


ELEVATION



SECTION B-B

Average U Value	Single Open In	Single Open Out	Double Open In	Double Open Out
CEN standard	1.6W/m ² K	1.7W/m ² K	1.7W/m ² K	1.6W/m ² K
Glazing				
Thickness	28mm	28mm	28mm	28mm
Testing				
Security	PAS24 & SBD	PAS24 & SBD	PAS24 & SBD	PAS24 & SBD
Air Permeability (Pa)	Class 2 (300Pa)	Class 2 (300Pa)	Class 2 (300Pa)	Class 1 (150Pa)
Water Tightness (Pa)	Class 9a (600Pa)	Class E1950 (1950Pa)	Class 4a (150Pa)	Class 7a (300Pa)
Wind Load	Class A3 (1200Pa)	Class A3 (1200Pa)	Class 2 (800Pa)	Class 2 (800Pa)



SECTION A-A

