



The Window Collection





# Contents

## Introduction

Choosing your perfect window **3**

## Our range:

Flush Casement **4 - 5**

Tilt and Turn **6 - 7**

Sliding Sash **8 - 9**

Bay Windows **10 - 11**

UPVC **12 - 13**

Coloured UPVC **14 - 15**

Aluminium Windows **16 - 17**

Steel look **18 - 19**

Curtain Walling **20 - 21**

UPVC Colour Range **22**

Locking Systems **23**

Energy Efficiency & Sustainability **24 - 25**

Technical Information on Casement Windows **26**

Systems Key **27**

## Choosing your perfect window

### Secure your home

Every window is fitted with a multi-point locking system and rigorously tested to comply with the Secured By Design standards – offering customers the highest levels of security. We have a large range of hardware to complement your home.

### Find your perfect style

Our windows come in a wide range of styles – offering something for every type of home, whether it is a contemporary flat or chocolate box cottage.

### Peace of mind

Our windows all come with a ten-year warranty, and our dedicated customer service team and expert engineers are on hand in the event of any problems.

### And don't forget about energy efficiency...

All of our windows are A-rated as standard and come with Super Spacer technology, which when coupled with Low E glass, can reduce heat loss by a staggering 94%, as well as cutting CO2 emissions.





# Flush Casement

A flush casement uPVC window is one where the opening pane is held on hinges within a frame, but the opening part does not project out from the frame. Instead, it lies aligned or 'flush' with it. A design which has been around for centuries, they are one of the most common UK window styles.

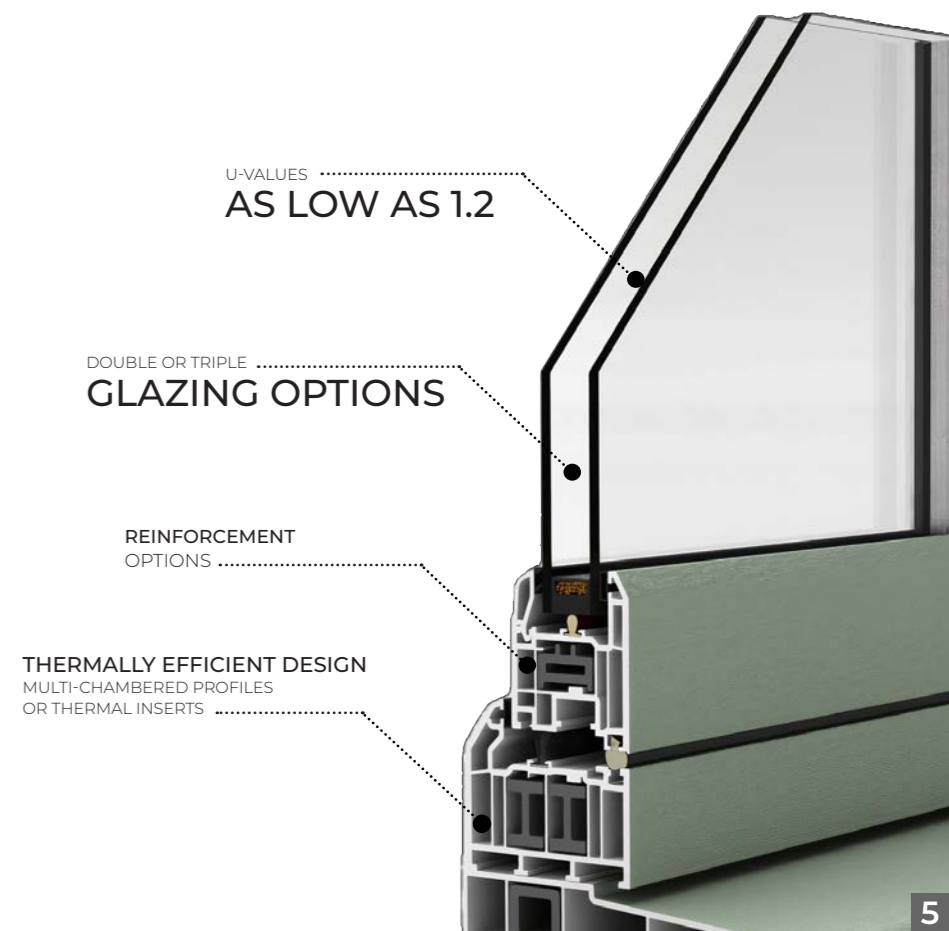


Perfect for historic properties which need to replace rotting or ageing timber flush windows, they boast clean sightlines and a fuss-free finish. With flush casement uPVC windows now virtually indistinguishable from the traditional timber version, forward-thinking planning authorities are open to the idea of using them in conservation areas.



Fitted with multi-point locks and 24mm double glazing as standard, these windows look authentic and are highly secure. Thanks to their egress hinges, which allow the window to open fully, they can also act as the perfect escape route if ever there was an emergency.

Made using multichambered sections to maximise the insulating qualities of the PVC-U from which they are made, flush casement windows will help your home maintain a comfortable temperature all year round. Long-life weather seals will reduce draughts to prevent your property from feeling cold and damp, even if it is an older period home.





# Tilt and Turn

Tilt and turn windows are a fantastically simple, stylish and contemporary solution which will suit either a modern or traditional property.



By giving homeowners the option to have their windows slightly vented or completely wide open - depending on the season and weather, controlling the temperature of a room has never been easier.



With the twist of a handle, our tilt and turn windows can be completely opened, perfect for those hot summer months. Or with a half-turn, the window can be restricted to a small airflow.

As because the windows open fully inwards, cleaning the exterior glass is easy. This makes tilt and turn windows perfect for use in high-rise apartments or for people who want to safely clean their own upstairs windows. They are also an extremely effective fire escape in case of emergency.

Simple and versatile, this popular windows style will enhance the look and value of any property. Our tilt and turn windows are fitted with energy-efficient A-rated glass as standard - among the highest possible window energy rating. This means you will benefit from the best double glazing available, preventing up to 94 per cent energy loss.

**AIRFLOW**  
TRICKLE VENTS ARE INCORPORATED INTO THE FRAME



**SCISSOR-HINGE**  
Tilts window inwards for ventilation



**MUSHROOM**  
locking bolts keeps the window secure on all four sides

**WINDOW TURNS**  
inwards on hinges to enable easy cleaning or emergency exit

**MUSHROOM**  
locking bolts keeps the window secure on all four sides



# Sliding Sash

Sliding sash windows are carefully crafted to give your home the attractive appearance of traditional sashes, whilst being easy to use and highly energy efficient.



Perfectly suited to period homes, where retaining the traditional character of the property is essential, double glazed sash windows will give you years of trouble-free enjoyment.



Even if you live in a modern property, uPVC sash windows will still enhance the look, feel and style of your home by combining the highest-performing double glazing technology with the traditional charm and character you'd expect from an original timber sash window.

Designed to replicate a box sash feel, our uPVC sash windows are manufactured to the highest standards - keeping your home secure and reducing your heating bills at the same time.

Having conducted extensive research into the aesthetic appearance that conservation bodies will allow across the UK, our vertical sliding sash windows have been developed to look authentic.





# Bay & Bow Windows

Beautiful bay windows allow you to enjoy panoramic views and flood your home with natural light. Traditional in appearance, a bay window acts as a focal point and creates the illusion of extra space.



Suitable for modern and traditional properties, the beauty of a bay window means that it continues to be a timeless classic. No wonder it remains one of the UK's most popular choices.



Available in a huge range of styles, we can design and manufacture this timeless classic to suit any angle. Use their angled lines to let more natural light in and give your home added kerb appeal.

Having been approved by the security watchdog Secured By Design, all of our bay windows have enhanced security features – making your property safer and stylish.

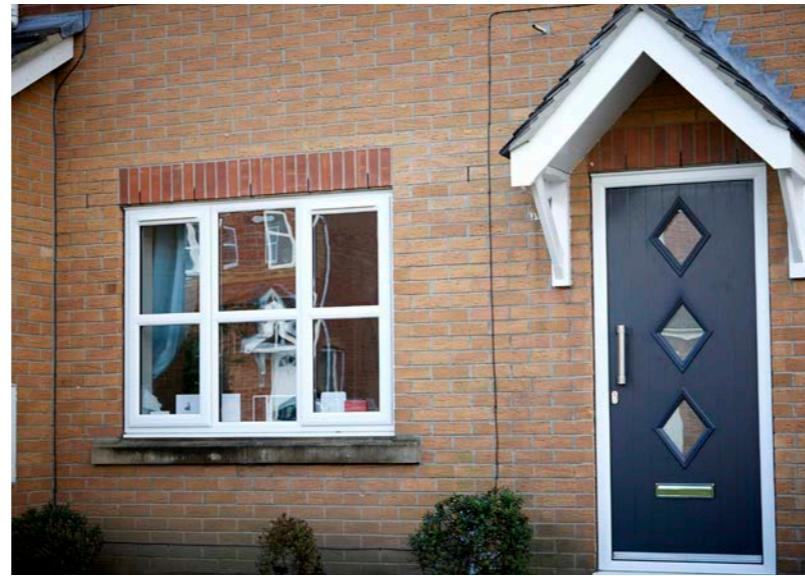
Select your size, frame style and preferred material - uPVC, aluminium or wooden - and we will configure them to your exact specification. Add a canopy or customise the windows any way you want to.





# UPVC Windows

UPVC windows are perfect for almost any home because of their modern and stylish appearance. Featuring the latest double glazing technology, our uPVC windows come with A-rated glass as standard.



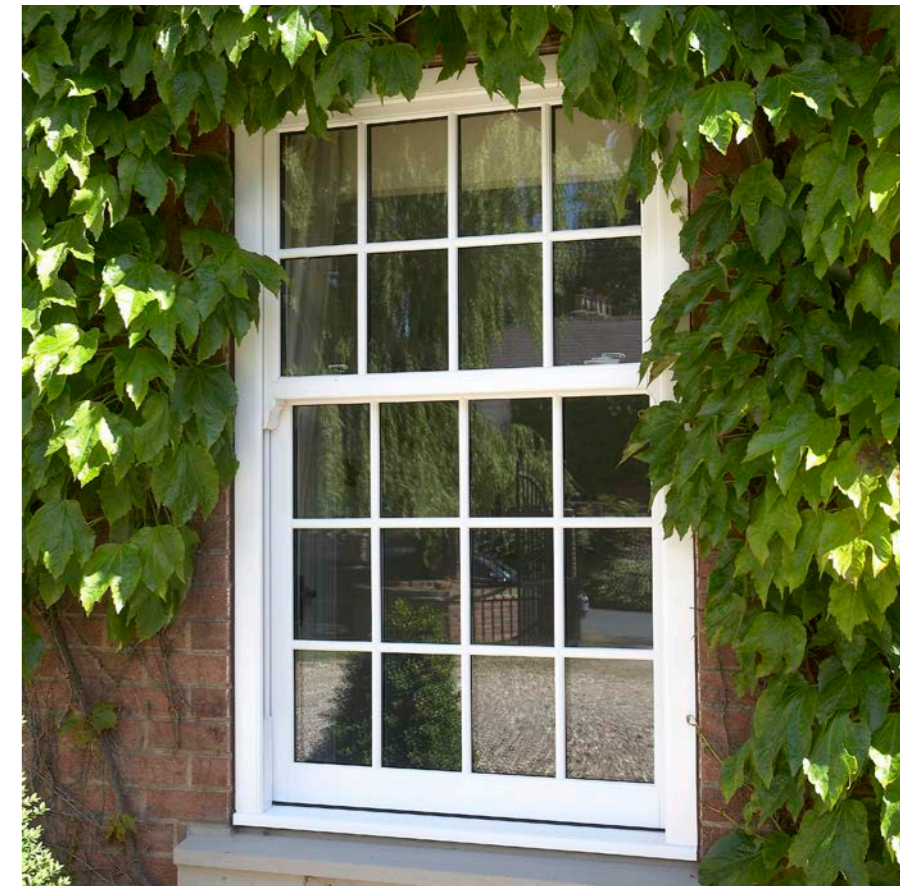
By investing in new uPVC windows, you are guaranteed to get unparalleled protection against the cold and filter out any unwanted external noise. Due to advances in window technology, our A-rated glass will ensure your home is cool in summer but warm and cosy in winter.



As an experienced double glazing manufacturer and installer. If you're looking for a high security and low-maintenance window, take a look at our wide range of uPVC windows online now.

Manufactured from A-grade uPVC and supplied with a 10-year warranty, they will not rot, peel, bend, warp, flake or fade in sunlight. They also prevent up to 94 per cent of heat loss and could help to reduce your energy bills.

We supply and fit bespoke uPVC windows made to measure, so the choice of finish and colour is completely up to you.





# Coloured UPVC Windows

Coloured uPVC windows are a subtle way to add a striking and contemporary design feature to any property. Stylish and guaranteed to enhance the appearance of your home, there are a wide range of UPVC colours for windows to extend your design scheme from inside to outside.



With many style-conscious homeowners now moving away from traditional uPVC windows and turning towards coloured uPVC frames, this style is one of our fastest-growing ranges.



Make a modern home look more imposing with black uPVC windows or use grey uPVC windows to bring out period features in an older property. For a cosy cottage-style, cream uPVC windows are perfect and look amazing when paired with light-coloured bricks or a painted render finish.

With a wide range of RAL colour options available and A-rated glass fitted as standard, choose the fade resistant coloured uPVC windows that are just right for you - and backed by a ten-year warranty.

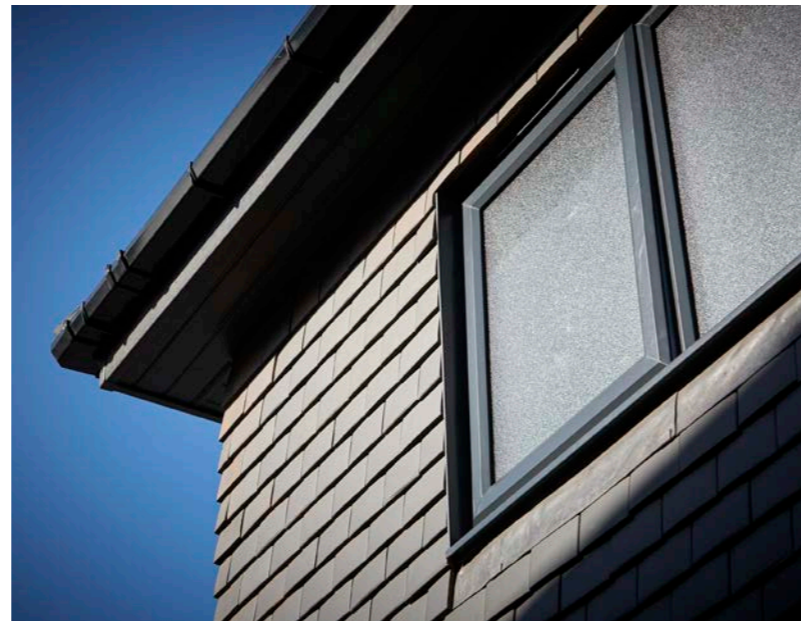
We can supply and fit a wide range of coloured uPVC windows – including sash, casement or tilt and turn.



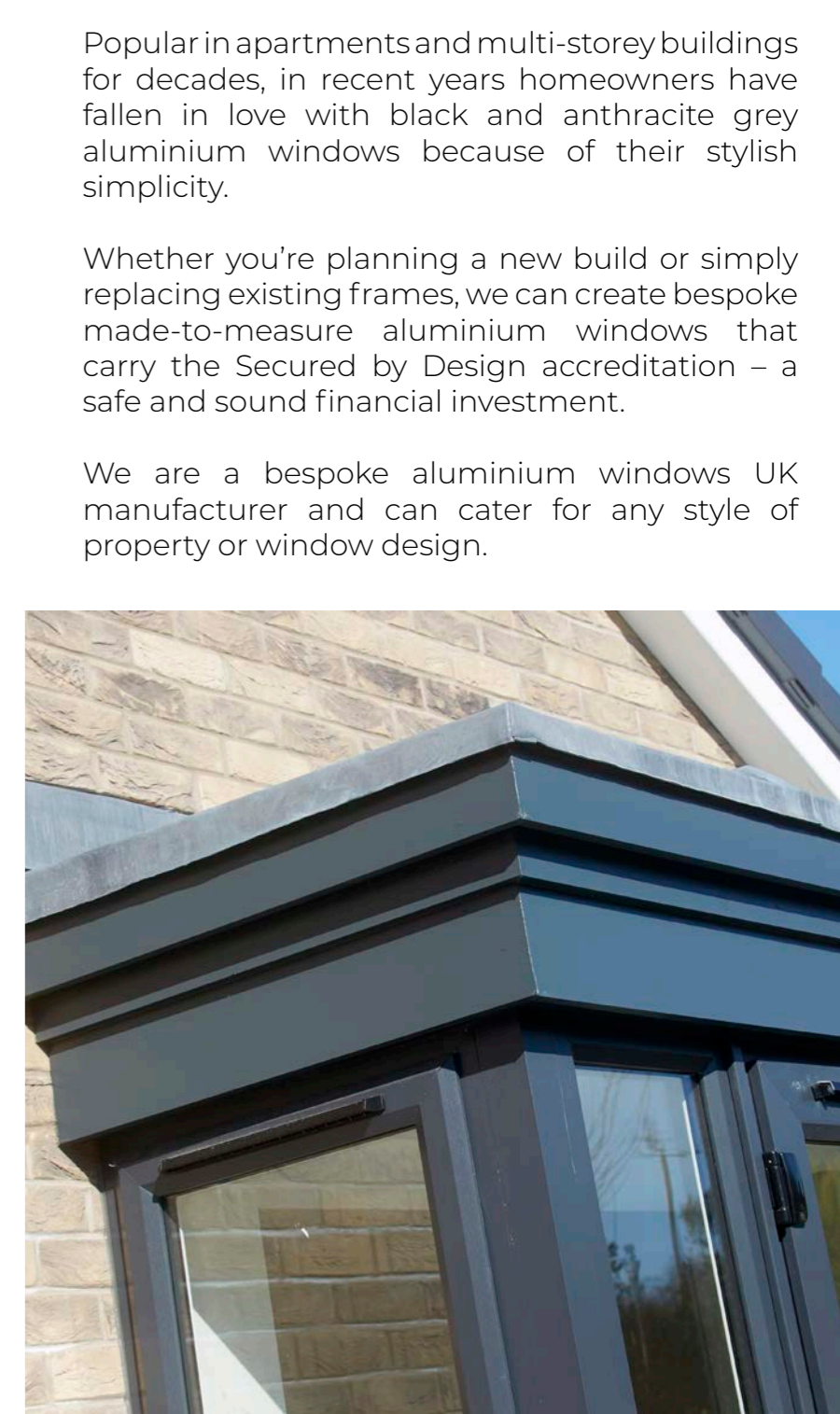


# Aluminium Windows

Aluminium windows are strong, durable and a great way to make a style statement on a traditional or modern property. Sleek, stylish and built to last, aluminium windows are always an eye-catching addition. Versatile in function and design, they'll transform any modern or traditional home - flooding it with light without compromising on style.



Perfect for those projects which require a contemporary finish, aluminium windows are strong, lightweight and can be shaped to create a truly unique appearance.



Popular in apartments and multi-storey buildings for decades, in recent years homeowners have fallen in love with black and anthracite grey aluminium windows because of their stylish simplicity.

Whether you're planning a new build or simply replacing existing frames, we can create bespoke made-to-measure aluminium windows that carry the Secured by Design accreditation – a safe and sound financial investment.

We are a bespoke aluminium windows UK manufacturer and can cater for any style of property or window design.



# Steel-look Windows

Steel-look windows are the latest interiors trend which is gripping the UK. Characterized by black industrial-style frames with glass panels. This new range of lookalike steel windows and doors looks equally at home on either period or new properties, and makes a huge style statement.



If you want windows which make an impression - look no further than the Steel-look range. These UPVC or aluminium windows, which are typically black frames with glass panels, look incredible on any style of home.



Steel-look windows (also known as Heritage windows) originate from the 1800s and are featured on notable buildings in the UK, including the Houses of Parliament.

We love the Steel-look style and have dealt with a number of recent inquiries which led to us creating our own more economical version of this famous window style.

Our Steel-look windows are made using either UPVC or aluminium to re-create the familiar signature style at a more affordable price point by using an astragal bar inside and outside the glass to create the same effect, coupled with black frames.



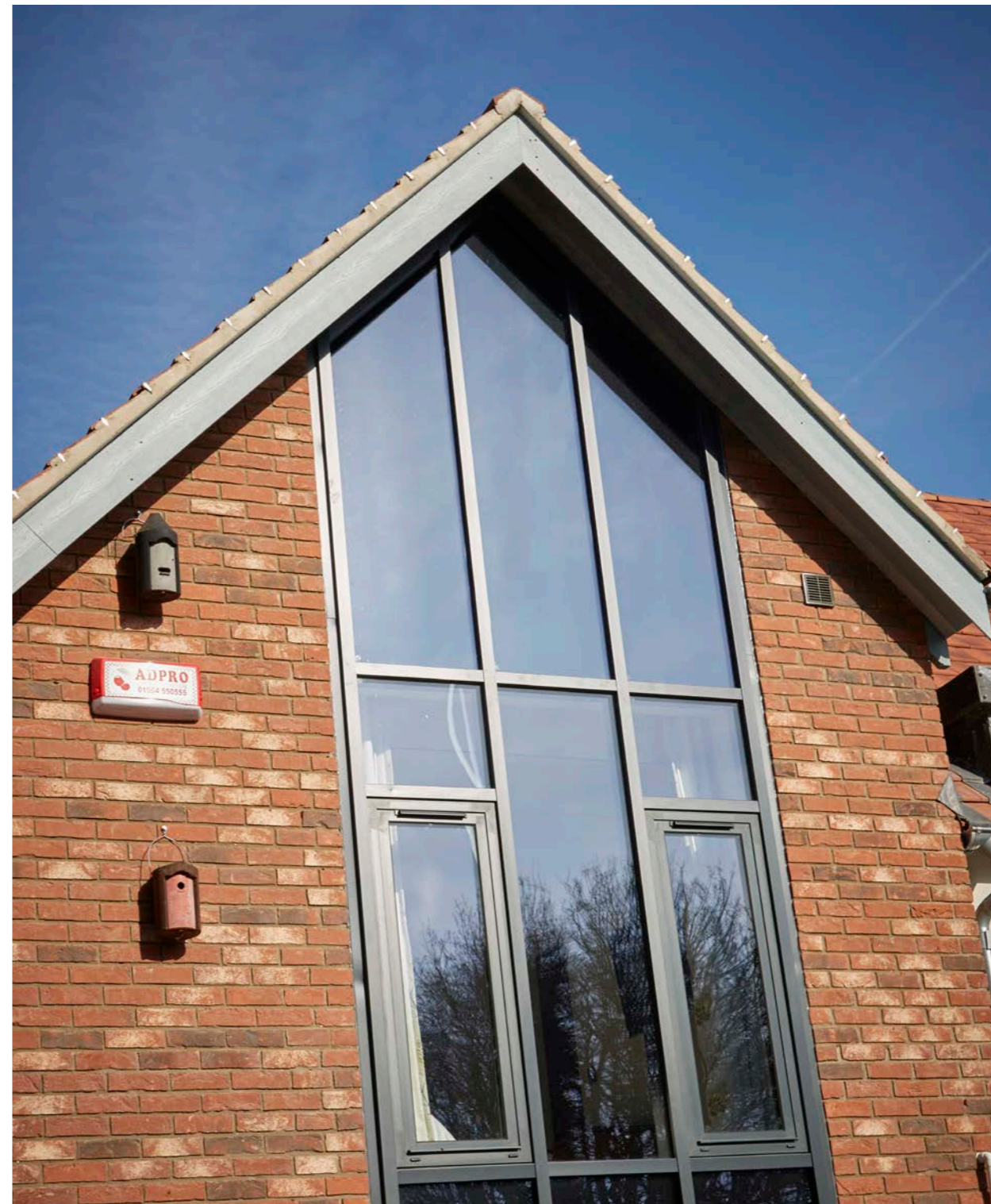


# Curtain Walling

Curtain walling is increasingly sought-after in domestic properties where architects and house builders are wanting to create striking designs using large expanses of glass. If you are designing or building a house where floor-to-ceiling windows are required – curtain walling is a great option.



Curtain walling can span two or more floors and go right up to the roof ridge – creating a light-filled property with a truly bespoke luxury feel.

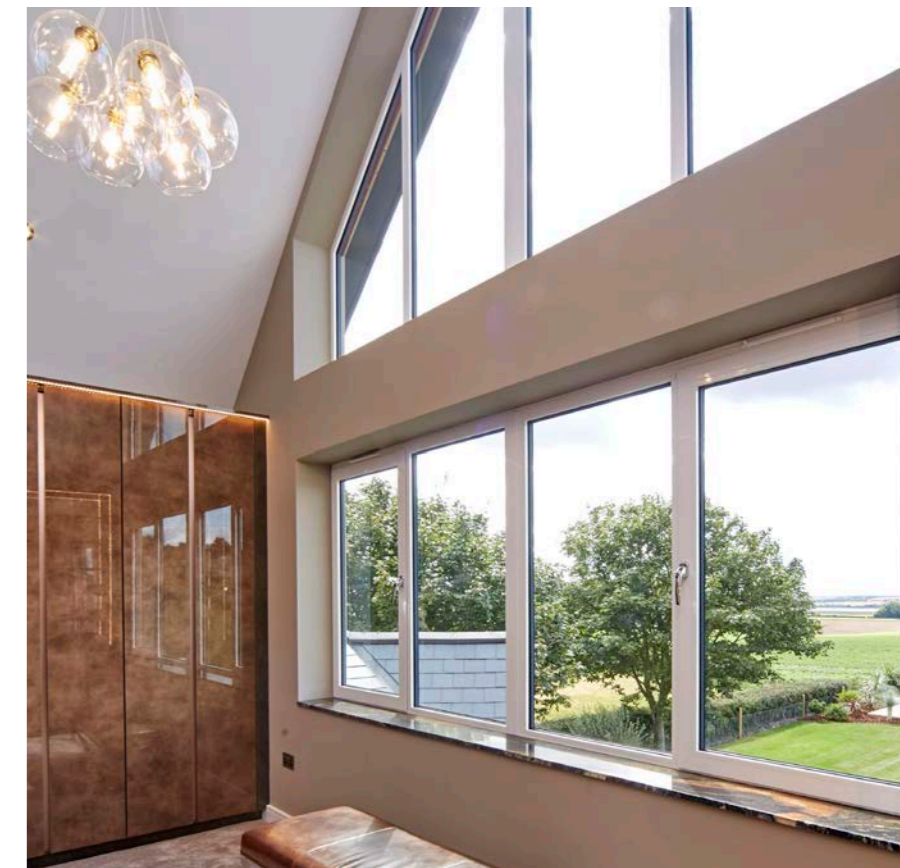


A curtain wall is a structure in a house or commercial building that is constructed from an aluminium frame and glazed.

It allows large expanses of space to be glazed, which is very sought-after in contemporary houses which are made up of more glass than bricks on some elevations.

Curtain walling used to be just reserved for commercial buildings, but is now increasingly seen in the domestic glazing sector. Curtain walls are weather resistant so make a strong and secure option for weather-proofing a building, and they are also highly thermal efficient.

Our curtain walling has A-rated glass as standard.





# UPVC Colour Range



White/  
White Smooth  
RAL No:  
9003



White Ash Grained/  
White Ash Grained  
Horschuch No:  
F45650053



Cream White Grained/  
White Smooth  
Horschuch No:  
F4565054



Agate Grey Grained /  
White Smooth  
Renolit No:  
703805



Slate Grey Grained /  
White Smooth  
RAL No:  
7015



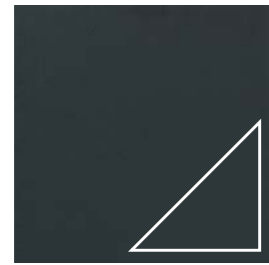
Irish Oak Grained /  
White Smooth  
Renolit No:  
3211-005



Chartwell Green Grained /  
White Smooth  
Renolit No:  
49246



Slate Grey Smooth /  
White Smooth  
RAL No:  
7015S



Anthracite Grey Grained /  
Grained - Grey base  
RAL No:  
7016



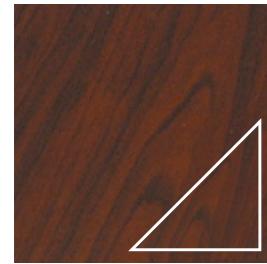
Anthracite Grey Grained /  
White Smooth  
RAL No:  
7016



Anthracite Grey Smooth /  
White Smooth  
RAL No:  
7016S



Black Ash Grained/  
White Smooth  
RAL No:  
8518



Rosewood Grained /  
Grained - Brown base  
Renolit No:  
S30.03.11.0031



Rosewood Grained /  
White Smooth  
Renolit No:  
S30.03.11.0031



Golden Oak Grained /  
Grained - Caramel base  
RAL No:  
8001



Golden Oak Grained /  
White Smooth  
RAL No:  
8001



Irish Oak Grained /  
Grained - Caramel base  
Renolit No:  
3211-005



# Locking system

## Quality without compromise

Manufactured from a high performance zinc alloy, our handles are simple to fit, easy to operate and suitable for PVCu and aluminium casement windows.

All our windows are strong, robust and built to last. Every opening is fitted with a multi-point locking system and rigorously tested to comply with the Secured By Design standards for security – offering you the highest levels of protection.

Our handle range has been independently tested to 50,000 cycles for guaranteed operational reliability and salt spray tested to industry standards for a long lasting finish.

## At a Glance...

- 5 suited finishes
- 9 pin lengths to suit common profiles
- Inline and offset levers
- Supplied complete with 2 fixing screws, 1 key and 2 cover caps as standard
- Corrosion resistance - salt spray tested to BSEN 1670 grade 4 for plated finishes and grade 5 powder coated finishes

## 5 Suited Finishes



Polished Gold



Polished Chrome



Smooth Satin Chrome



White



Black



Polished Gold



Polished Chrome



Smooth Satin Chrome



White



Black

**Patented**  
simple slide-and-clip,  
colour-matched screw cover

**Ergonomic**  
tear-shaped button  
with smooth operation

**Reliable**  
tested to 50,000 cycles

**Weather Resistant**  
salt spray tested to  
480 hours

**Comfortable**  
rounded lever grip

**Ergonomic**  
Curved lever contoured  
to the shape of your hand  
for a comfortable grip

**Intelligent**  
Positive stop on the rise of  
the offset lever to prevent  
gearbox over-stressing

**Secured by Design**  
SBD  
Police Preferred Specification



# Energy Efficiency & Sustainability



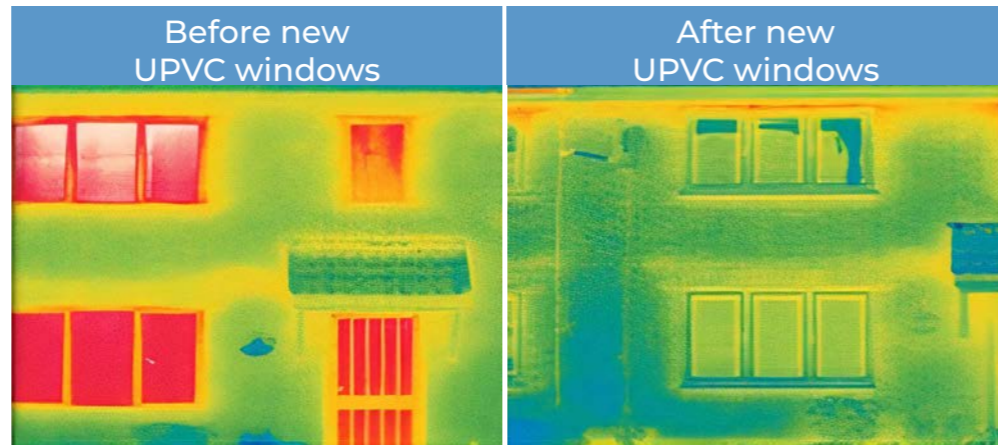
Buying A-rated windows – which means they're among the most energy-efficient on the market, will protect your home against heat loss, condensation, and damp.

Choosing windows, doors and conservatories with Super Spacer® and low E glass may seem a long way from saving the planet, but the insulating properties of our thermally efficient spacer bar are such that they can reduce heat loss by a staggering 94% through your windows

**Less heat loss means lower fuel bills for you.  
Less energy consumed results in lower carbon emissions.  
This is good news for the environment.**

By choosing energy efficient windows with Super Spacer® you can cut your CO2 emissions and save on fuel bills significantly. We also use argon gas when manufacturing our windows due to the fact that argon gas does not conduct heat as well as air, so it's an excellent insulator.

There is a legal requirement, introduced in June 2022, for all new windows to include trickle vents to improve air flow and quality in homes, and reduce mould and condensation.



# Bringing energy efficiency home

Lowering heating bills, for life



Saving the planet doesn't cost the world

up to **2db** noise reduction

Sealed units featuring Super Spacer® Warm Edge technology have been proven to reduce noise transmission by up to 2db.

up to **65%** warmer at the edge

Windows fitted with Super Spacer® have a warmer internal edge temperature of up to 65% reducing heat loss through the edge of the glass.

*"Windows fitted with Super Spacer® have a warmer internal edge temperature of up to 65%"*

**Reduces energy costs**

80% of the energy lost through a window occurs at the edge of the glass because of the highly conductive nature of aluminium spacer. Super Spacer® blocks the heat loss and reduces energy costs.

up to **70%** reduced condensation

Super Spacer® reduces condensation by up to 70% virtually eliminating the potential breeding ground for mould growth and the bacteria that can be harmful to those who suffer from asthma.

*"Reducing condensation by 70% virtually eliminates mould growth and the bacteria that can be harmful to those who suffer from asthma"*



up to **950x** times less conductive

Super Spacer® is 950 times less conductive than standard aluminium spacer, blocking thermal bridging from the outside surface.

*"80% of the energy loss through a window occurs at the edge because of the highly conductive nature of aluminium spacer."*

- Our Windows are A-rated as standard for energy performance
- We use renewable energy systems to reduce cost of manufacturing

- Old UPVC windows removed from homes are recycled
- Re-use old wooden windows from customers' homes for heating

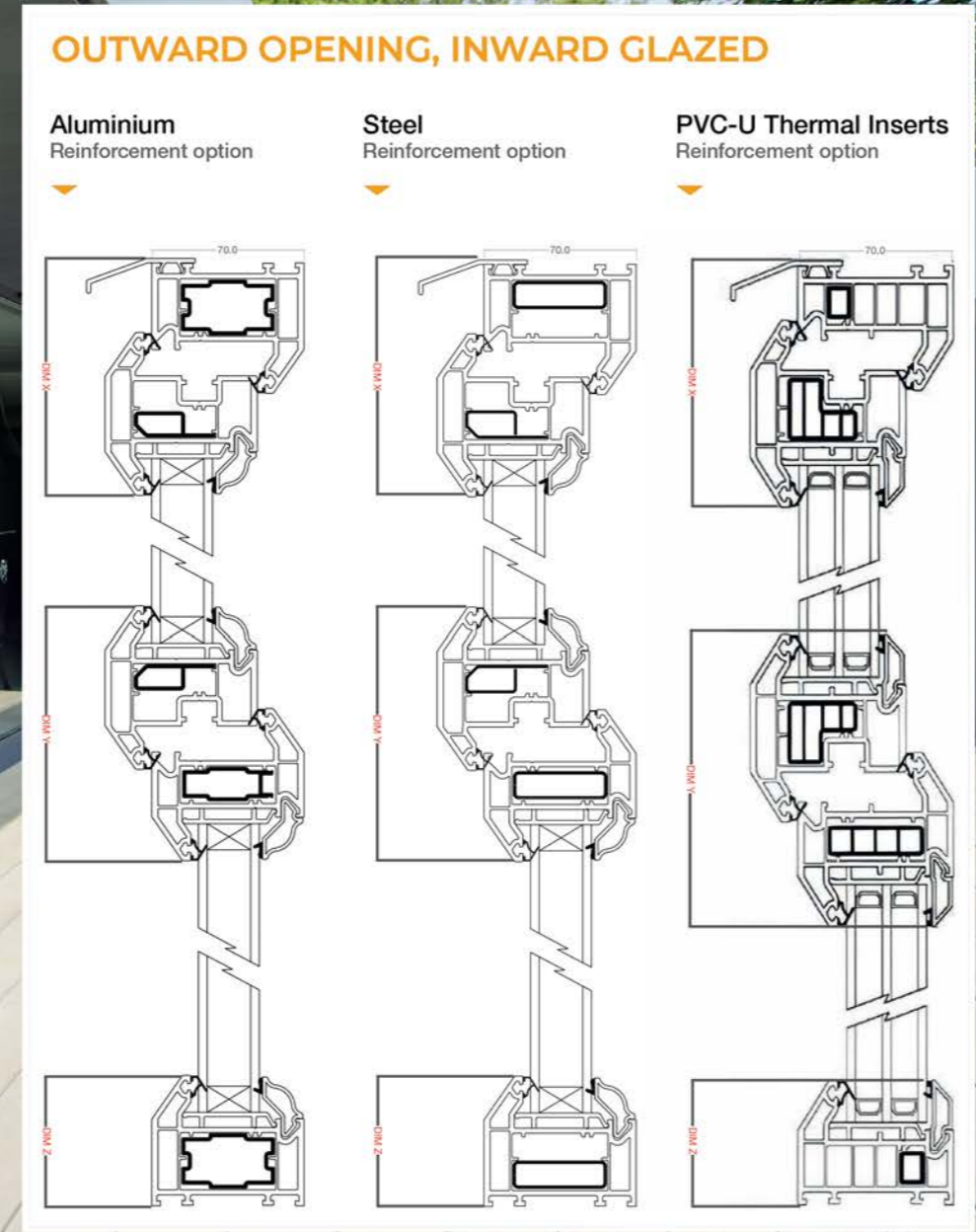


# TECHNICAL INFORMATION

## CASEMENT WINDOWS



| Frame / dimension   | Dim X | Frame / dimension  | Dim Y | Frame / dimension                  | Dim Z |
|---|-------|--|-------|------------------------------------|-------|
| Thermalogik outer frame (EWS 7001) with sash T (EWS 7005) | 97mm  | Sash T (EWS 7005) with transom Z (EWS 7003)              | 117mm | Thermalogik outer frame (EWS 7001) | 50mm  |
| Main frame (EWS 7020) with sash T (EWS 7005)              | 102mm | Sash T (EWS 7005) with intermediate transom Z (EWS 7023) | 132mm | Slim outer frame (EWS 7020)        | 55mm  |
| Main frame (EWS 7021) with sash T (EWS 7005)              | 107mm |  |       | Main frame (EWS 7021)              | 60mm  |
| Main frame (EWS 7011) with sash T (EWS 7005)              | 107mm |  |       | Main frame (EWS 7011)              | 60mm  |
| Large main frame (EWS 7006) with sash T (EWS 7005)        | 122mm |  |       | Large main frame (EWS 7006)        | 75mm  |



## Systems Key

|   | Ovolo Casements      | Chamfered Casements  | Flush          | Chamfered UPVC Doors | Ovolo UPVC Doors | Composite Door Frame (Chamfered Only) | Sliding Patio Doors | Vertical Sliding Sash Windows | Georgian Bars | Astragal Bars (Ovolo Only) |
|---|----------------------|----------------------|----------------|----------------------|------------------|---------------------------------------|---------------------|-------------------------------|---------------|----------------------------|
| White/ White Smooth   | ✓                    | ✓                    | ✓              | ✓                    | ✓                | ✓                                     | ✓                   | ✓                             | ✓<br>Smooth   | ✓                          |
| Cream White Grained/ White Smooth                             | ✓                    | ✗                    | ✓              | ✗                    | ✓                | Open in only                          | ✗                   | ✓                             | ✓             | ✓                          |
| Cream White Grained/ Cream White Grained - White base         | ✓                    | ✗                    | ✗              | ✗                    | ✓                | ✓                                     | ✗                   | ✓                             | ✓             | ✓                          |
| White Ash Grained/ White Ash Grained                          | ✓                    | ✗                    | ✓              | ✗                    | ✓                | ✗                                     | ✗                   | ✓                             | ✓             | ✓                          |
| Irish Oak Grained / Irish Oak Grained - Caramel base          | ✓                    | ✗                    | ✗              | ✗                    | ✓                | ✗                                     | ✗                   | ✗                             | ✓             | ✓                          |
| Irish Oak Grained / White Smooth                              | ✓                    | ✗                    | ✓              | ✗                    | ✓                | ✗                                     | ✗                   | ✗                             | ✓             | ✓                          |
| Golden Oak Grained / Golden Oak Grained - Caramel base        | ✓                    | ✓                    | ✗              | ✓                    | ✓                | ✓                                     | ✓                   | ✗                             | ✓             | ✓                          |
| Golden Oak Grained / White Smooth                             | ✓                    | ✓                    | ✗              | ✓                    | ✓                | ✓                                     | ✓                   | ✗                             | ✓             | ✓                          |
| Rosewood Grained / Rosewood Grained - Brown base              | ✓                    | ✓                    | ✗              | ✓                    | ✓                | ✓                                     | ✓                   | ✗                             | ✓             | ✓                          |
| Rosewood Grained / White Smooth                               | ✓                    | ✓                    | ✓              | ✓                    | ✓                | ✓                                     | ✓                   | ✗                             | ✓             | ✓                          |
| Chartwell Green Grained / White Smooth *                      | ✓                    | ✗                    | ✗              | ✗                    | ✓                | Open in only                          | ✗                   | ✓                             | ✓             | ✓                          |
| Black Ash Grained/ White Smooth *                             | ✓                    | ✓                    | ✓              | ✓                    | ✓                | ✓                                     | ✗                   | ✗                             | ✓             | ✓                          |
| Black Ash Grained/ Black Ash Grained                          |                      |                      |                |                      |                  |                                       |                     |                               |               |                            |
| Anthractie Grey Grained / Anthractie Grey Grained - Grey base | ✗                    | ✓<br>Grey base       | ✓<br>Grey base | ✓<br>Grey base       | ✗                | ✓<br>Brown base                       | ✓<br>Grey base      | ✗                             | ✓             | ✓                          |
| Anthractie Grey Grained / White Smooth                        | ✓                    | ✓                    | ✓              | ✓                    | ✓                | ✓                                     | ✓                   | ✓                             | ✓             | ✓                          |
| Anthractie Grey Smooth / White Smooth                         | ✗                    | ✓                    | ✗              | ✓                    | ✗                | ✗                                     | ✗                   | ✗                             | ✓             | ✗                          |
| Slate Grey Grained / White Smooth                             | ✗                    | ✓                    | ✗              | ✓                    | ✗                | ✓                                     | ✗                   | ✗                             | ✓             | ✓                          |
| Slate Grey Smooth / White Smooth                              | ✗                    | ✓                    | ✗              | ✓                    | ✗                | ✗                                     | ✗                   | ✗                             | ✗             | ✗                          |
| Agate Grey Grained / White Smooth *                           | ✓<br>Tilt & Turn N/A | ✓<br>Tilt & Turn N/A | ✓              | ✓                    | ✓                | ✗                                     | ✗                   | ✓                             | ✓             | ✓<br>N/A in Flush Sash     |

\* Bead not available for external glazing

All beads are Ovolo only





# KINGSTON

## WINDOWS & DOORS

0800 1959 466 | [info@kingstonwindowsanddoors.co.uk](mailto:info@kingstonwindowsanddoors.co.uk) | [www.kingstonwindowsanddoors.co.uk](http://www.kingstonwindowsanddoors.co.uk)